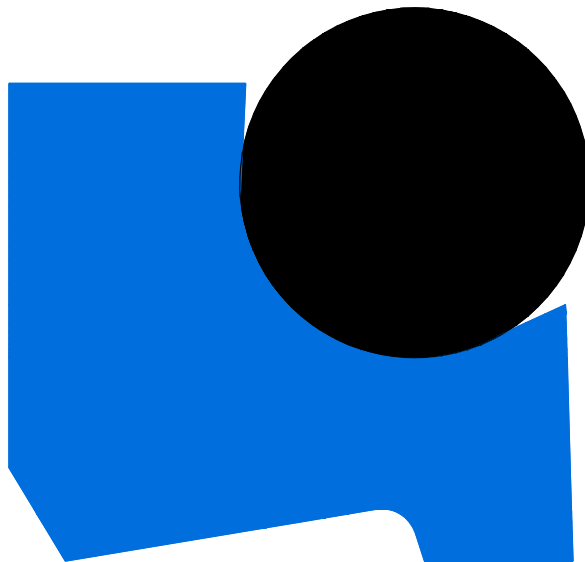




O.L. Seals A/S

Scrapers

Kefloy WypeRing® 5 type 2565-



Very tough and efficient double acting rod scraper.

High wear resistance.



WypeRing® 5 Type 2565-

Is a highly efficient double acting scraper. It consists of a scraping ring with one external and one internal scraping lip plus an O-ring. The O-Ring ensures a firm contact between the scraping lips and the piston rod.

The external scraping lip wipes the retracting piston rod free from all kinds of dirt, mud, ice etc. The internal lip retains the residual oil film, which may pass under the rod seal.



Working Range

Temperature

-50°C to + 200°C. For temperatures exceeding this temperature range, please contact your O.L. Seals distributor.

Fluids

Kefloy® is compatible with virtually all fluids – liquids as well as gases. By selecting the right compound for the O-Ring energizer, it is possible to cover almost all fluids.

Velocity

Reciprocating up to 15 m/sec.
Frequency: Up to 5 HZ.

Advantages

- Dual scraping effect; act as secondary seal.
- Very good scraping efficiency
- Good wear resistance
- Low friction
- No stick-slip
- Simple groove design
- Compatible with virtually all fluids
- ISO/DIN 6195 Type D installation dimensions

Material Selection Guide

Fluid	Mating surface	WypeRing® 5 compound
Hydraulic oil	Steel	Kefloy® 13
Motor oil	Chrome plated steel	Kefloy® 32
Grease	Cast iron	
Other mineral oils		
Water	Aluminium	Kefloy® 22
Water hydraulic	Stainless steel	Kefloy® 90
Steam	Bronze	
Non lubricating fluids	Soft metals	
Air, dry or lubricated	Steel	Kefloy® 22
	Chrome plated steel	Kefloy® 28
	Cast iron	Kefloy® 90
	Aluminium	
	Stainless steel	
	Bronze	
	Soft metals	

Fluid	O-Ring compound
Hydraulic oil	NBR (Buna N)
Motor oil	
Grease	
Other mineral oils	
Water, cold	
Water hydraulic	At temperatures above 120°C use Viton O-Rings
Air, lubricated	
Water, hot	EPDM
Steam	
Synthetic hydraulic fluids	Special compounds

O-Ring manufacturer's recommendation for the actual fluid should always be followed.

For other fluids or sealing surfaces, please consult your O.L. Seals distributor.



Seal Selection Guide

Installation Instructions

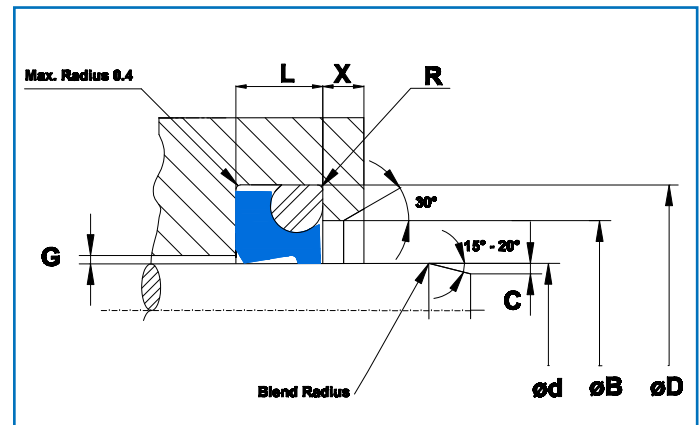
WypeRing® 5 can be installed in split or in closed grooves. Installation in closed grooves is possible for relatively big diameters only. Below table shows the diameter limits.

WypeRing® 5 Series No.	Rod Diameter d
25650	≥ 30
25651	≥ 40
25652	≥ 70
25653	≥ 100
25654	≥ 140
25655	≥ 180

Ordering Example

Rod diameter: 250.0 mm

Part no 25653-2500-13
 WypeRing® 5 Type
 Series
 Rod dia. x 10
 Compound no
 O-Ring size 253.37 x 5.33
 O-Ring to be ordered separately



Installation dimensions

Type No.	Ød ¹⁾ Rod dia. Recomm.	ØD Groove dia.	ØB Dia.	L Groove width	X	R Radius	O-Ring ID	O-Ring Cross section
	f8/h8	H9	H11	+ 0.20 - 0.0	min.	Max.		
25650	6 -39.9	ød + 7.6	ød + 1.5	4.2	3.0	0.6	ød + 2.5	2.62
25651	40-69.9	ød + 8.8	ød + 1.5	6.3	3.0	0.6	ød + 3.5	2.62
25652	70-139.9	ød + 12.2	ød + 2.0	8.1	4.0	0.8	ød + 4.0	3.53
25653	140-399.9	ød + 16.0	ød + 2.5	9.5	5.0	1.3	ød + 5.0	5.33
25654	400-649.9	ød + 24.0	ød + 2.5	14.0	8.0	1.5	ød + 6.0	6.99
25655	650-999.9	ød + 27.3	ød + 2.5	16.0	10.0	2.5	ød + 7.0	8.4

O-Ring Size

O-Ring cross section according to installation dimensions.
 O-Ring I.D. as close to dia. B as possible.
 O-Ring I.D. not bigger than B +3%
 O-Ring I.D. not smaller than B -5%

Important Note

The limits of pressure, temperature and velocity are individual maximum values. Heat generated by the friction may cause local increase of temperature. The cooling possibilities for the system determines the combinations of maximum values.