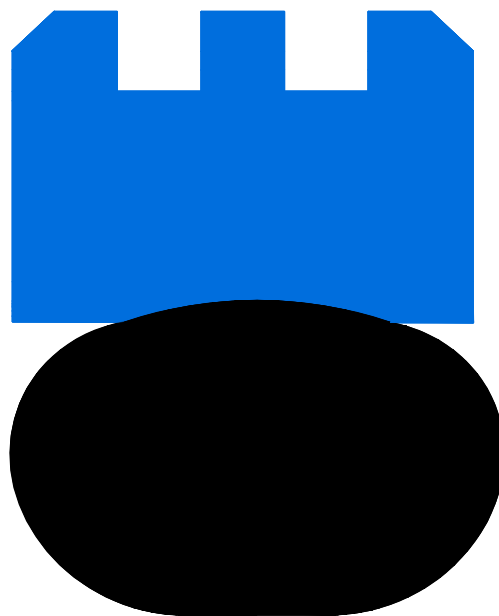




O.L. Seals A/S

Rotary Seals

Kefloy TurnRing® type 2572-



Rotating double acting seal for bore. Pressure up to 30 MPa.

High wear resistance. Small installation dimensions.



TurnRing® Type 2572-

Is a double acting piston seal for rotating applications. TurnRing® consists of a dynamic seal ring of Kefloy®; energized by a rubber O-Ring.

The sliding surface of the Kefloy® ring is furnished with one or two grooves (depending on the series). The grooves ensure good lubrication and reduce friction.

The rear face of the Kefloy® ring has a concave shape. This ensures a good contact to the O-Ring and prevents the seal from turning with the piston. The seal design ensures an efficient leakage control over the entire pressure range from 0 to 30 MPa.

The non stick-slip properties of the Kefloy® compounds ensure a smooth operation. The small installation dimensions allow a compact design of the hardware. This is a major advantage in e.g. swivel joints with many ports.

TurnRing® is pressure responsive.

TurnRing® is available in Standard series, Light Duty series and Heavy Duty series.



Working Range

Pressure

Up to 30 MPa. For pressures exceeding 30 MPa, please contact your O.L. Seals distributor.

Temperature

-40°C to +180°C. For temperatures exceeding this temperature range, please contact your O.L. Seals distributor.

Velocity

Continuous up to 2 m/sec. Intermittent up to 5 m/sec.

Fluids

Kefloy® is compatible with virtually all Fluids – liquids as well as gases. By selecting the right compound for the O-Ring energizer, it is possible to cover almost all fluids.

Application limits

Pressurised rotary seals generate heat. The amount of generated heat depends of pressure, speed and friction. The success of a rotary seal depends of the cooling possibilities. In general a piston with a big diameter transfers the heat better than a piston with a small diameter. Therefore it is not possible to make guidelines for acceptable P-V values. It is recommended always to test the seal at the actual application.

Advantages

- High pressure
- Very good sealing efficiency
- Excellent wear resistance
- Moderate friction
- No stick-slip
- No vulcanisation to mating surface
- Simple groove design
- Small installation dimensions
- Compatible with virtually all fluids
- Available for all diameters up to 2.500 mm

Material Selection Guide

Fluid	Mating surface	TurnRing® compound
Hydraulic oil	Steel	Kefloy® 28
Motor oil	Chrome plated steel	Kefloy® 66
Grease	Cast iron	Kefloy® 85
Other mineral oils		Kefloy® 90
Water	Aluminium	Kefloy® 22
Water hydraulic	Stainless steel	Kefloy® 40
Steam	Bronze	Kefloy® 90
Non lubricating fluids	Soft metals	
Air, dry or lubricated	Steel	Kefloy® 22
	Chrome plated steel	Kefloy® 28
	Cast iron	Kefloy® 40
	Aluminium	Kefloy® 90
	Stainless steel	
	Bronze	
	Soft metals	

Fluid	O-Ring compound
Hydraulic oil	NBR (Buna N)
Motor oil	
Grease	
Other mineral oils	
Water, cold	At temperatures above 120°C use Viton O-Rings
Water hydraulic	
Air, lubricated	
Water, hot	EPDM
Steam	
Synthetic hydraulic fluids	Special compounds

O-Ring manufacturer's recommendation for the actual fluid should always be followed.

For other fluids or sealing surfaces, please consult your O.L. Seals distributor.



Seal Selection Guide

Standard Series

For most applications the Standard Series is the best choice.

Light Duty Series

Where very low friction is required, Light Duty Series is recommended.

Where space limitations make it necessary the light Duty Series should be chosen.

Heavy Duty Series

Where a very long service life is required the Heavy Duty Series should be chosen.

Ordering Example

Bore diameter: 563.4 mm

Part no 25724-5634-22N

TurnRing® Type

Series

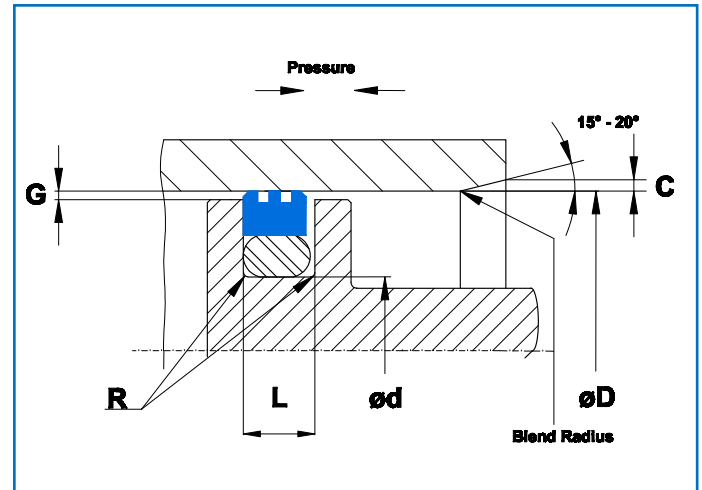
Bore dia. x 10

Compound no

Side wall notch (compulsory)

O-Ring size 532.26 x 7.00

O-Ring to be ordered separately



Installation dimensions

Type No.	Standard Series Piston dia.	Light Series Piston dia	Heavey Series Piston dia.	d groove diam.	L Groove width	R radius	G Radial		C cham- fer	B O-ring ID	O-ring Cross section
							10MPa (100 bar)	20MPa (200 bar)			
	H 9	H 9	H 9	h 9	+0.2 -0	max			Min.		
25720	8-39.9	40-79.9	-	D - 4.9	2.2	0.4	0.15	0.10	0.7	d	1.78
25721	40-79.9	80-132.9	8-39.9	D - 7.5	3.2	0.6	0.20	0.15	1.0	d	2.62
25722	80-132.9	133-329.9	40-79.9	D-11.0	4.2	1.0	0.25	0.20	1.3	d	3.53
25723	133-329.9	330-669.9	80-132.9	D-15.5	6.3	1.3	0.30	0.25	2.0	d	5.33
25724	330-669.9	670-999.9	133-329.9	D-21.0	8.1	1.8	0.30	0.25	2.5	d	6.99
25725	670-999.9	-	330-669.9	D-28.0	9.5	2.5	0.45	0.30	3.0	d	8.40

O-Ring Size

O-Ring cross section according to installation dimensions.
 O-Ring I.D. as close to dia. B as possible.
 O-Ring I.D. not bigger than B +3%
 O-Ring I.D. not smaller than B -5%

Important Note

The limits of pressure, temperature and velocity are individual maximum values. Heat generated by the friction may cause local increase of temperature. The cooling possibilities for the system determines the combinations of maximum values.