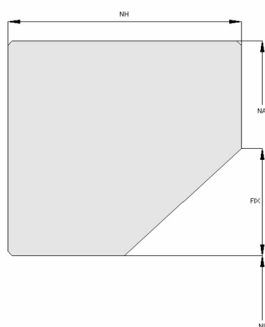


# Profile Data

## Backup Ring BUR10



### Function

Back-up rings or Anti Extrusion Rings do not have a sealing function. They are designed to prevent elastic sealing elements of gap extrusion.

### Features

- ⇒ Active Anti Extrusion Ring for Piston Seal PS02
- ⇒ Reduced gap extrusion of the elastomer seal and/or higher pressures up to 700bar possible
- ⇒ Prevention of twisting of the seal in the groove.
- ⇒ Available as split non-split version.

### Application

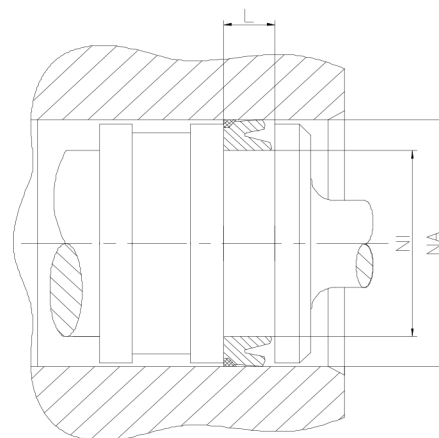
dynamic and static applications in reciprocating pistons and rods in hydraulic cylinders, plungers, etc.  
Unfavourable tolerances and wide gap dimensions.

### Installation

Snap-in installation

### Seal housing recommendation

Tolerances	[mm]	
L < 10mm	+ 0.2	
L ≥ 10mm	+ 0.3	
∅ NA	H8	
∅ NI	f8	
Surface roughness	Rtmax [μ]	Ra [μ]
Bottom of groove	≤ 6.3	≤ 1.6
Face of groove	≤ 15	≤ 3
Sliding surface	Rtmax [μ]	Ra [μ]
PU, elastomeres	≤ 2.5	≤ 0.1-0.5
PTFE	≤ 2	≤ 0.05-0.3



Sealco House, Maypole Fields Halesowen, West Midlands, UK, B63 2QB

T: (+44)1384 413058 E: sales@sealco.co.uk W: www.sealco.co.uk