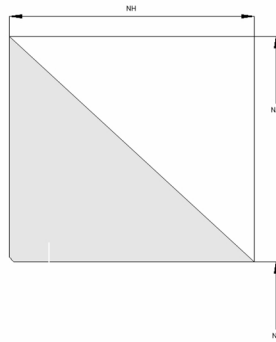


Profile Data

Backup Ring BUR12



Function

Back-up rings or Anti Extrusion Rings do not have a sealing function. They are designed to prevent elastic sealing elements of gap extrusion.

Features

- ⇒ Triangular Anti Extrusion Ring for Rod applications
- ⇒ Special housing designs required.
- ⇒ Reduced gap extrusion of the elastomer seal and/or higher pressures up to 700bar possible.
- ⇒ Available as split and non-split version.

Application

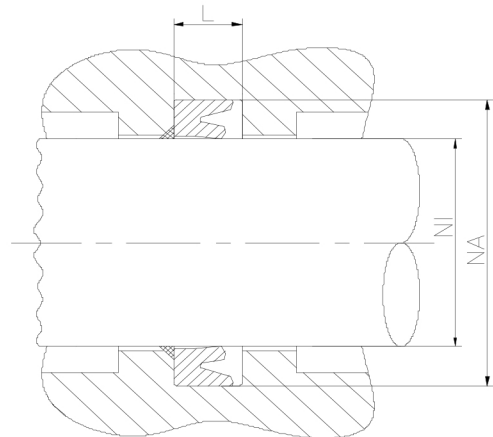
Dynamic and static applications in reciprocating rods in hydraulic cylinders, plungers, etc. Unfavourable tolerances and wide gap dimensions.

Installation

Snap-in installation

Seal housing recommendation

Tolerances	[mm]	
L < 10mm	+ 0.2	
L ≥ 10mm	+ 0.3	
∅ NA	H10	
∅ NI	f8	
Surface roughness	Rtmax [μ]	Ra [μ]
Bottom of groove	≤ 6.3	≤ 1.6
Face of groove	≤ 15	≤ 3
Sliding surface	Rtmax [μ]	Ra [μ]
PU, elastomeres	≤ 2.5	≤ 0.1-0.5
PTFE	≤ 2	≤ 0.05-0.3



Sealco House, Maypole Fields Halesowen, West Midlands, UK, B63 2QB

T: (+44)1384 413058 E: sales@sealco.co.uk W: www.sealco.co.uk