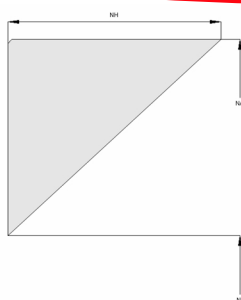


Profile Data

Backup Ring BUR13



Function

Back-up rings or Anti Extrusion Rings do not have a sealing function. They are designed to prevent elastic sealing elements of gap extrusion.

Features

- ⇒ Triangular Anti Extrusion Ring for Piston applications.
- ⇒ Special housing designs required.
- ⇒ Reduced gap extrusion of the elastomer seal and/or higher pressures up to 700bar possible.
- ⇒ Available as split and non-split version.

Application

dynamic and static applications in reciprocating pistons in hydraulic cylinders, plungers, etc.

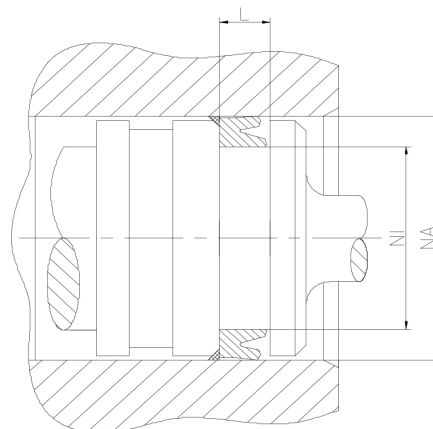
Unfavourable tolerances and wide gap dimensions.

Installation

Snap-in installation

Seal housing recommendation

| | | |
|--------------------------|------------------|---------------|
| Tolerances | [mm] | |
| L < 10mm | + 0.2 | |
| L ≥ 10mm | + 0.3 | |
| ∅ NA | H9 | |
| ∅ NI | h10 | |
| | | |
| Surface roughness | Rtmax [μ] | Ra [μ] |
| Bottom of groove | ≤ 6.3 | ≤ 1.6 |
| Face of groove | ≤ 15 | ≤ 3 |
| | | |
| Sliding surface | Rtmax [μ] | Ra [μ] |
| PU, elastomeres | ≤ 2.5 | ≤ 0.1-0.5 |
| PTFE | ≤ 2 | ≤ 0.05-0.3 |



Sealco House, Maypole Fields Halesowen, West Midlands, UK, B63 2QB

T: (+44)1384 413058 E: sales@sealco.co.uk W: www.sealco.co.uk