

Profile Data

Guide Ring BWR01A



Function

Guiding elements are designed to prevent metal to metal contact between components of hydraulic systems e.g. piston and cylinder barrel or shaft and cylinder head.

Features

- ⇒ Spiral groove on the outside diameter for better lubrication
- ⇒ Normally cut at an angle for easy installation, but also available as non-split version
- ⇒ Low dynamic friction.
- ⇒ Low break-away forces after long standstills.

Application

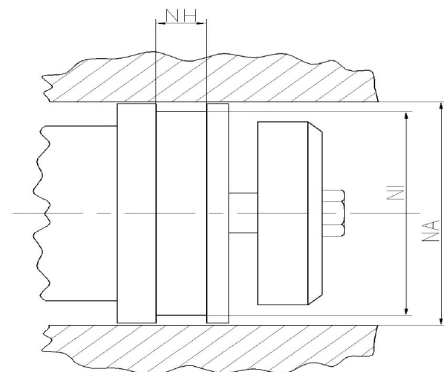
Reciprocating pistons and rods in hydraulic cylinders, plungers.
Max. speed 4 m/s, radial loads max. 70 N/mm².

Installation

Snap-in installation.

Seal housing recommendation

Tolerances	[mm]	
L < 10mm	+ 0.2	
L ≥ 10mm	+ 0.3	
∅ NA	H8	
∅ NI	h9	
Surface roughness	Rtmax [μ]	Ra [μ]
Bottom of groove	≤ 6.3	≤ 1.6
Face of groove	≤ 15	≤ 3
Sliding surface	Rtmax [μ]	Ra [μ]
PU, elastomeres	≤ 2.5	≤ 0.1-0.5
PTFE	≤ 2	≤ 0.05-0.3



Sealco House, Maypole Fields Halesowen, West Midlands, UK, B63 2QB

T: (+44)1384 413058 E: sales@sealco.co.uk W: www.sealco.co.uk