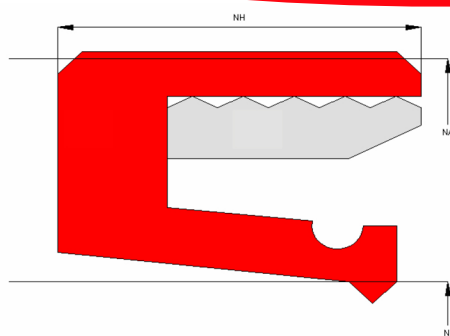


Profile Data

Rotary Seal OS01



Function

Rotary seals are designed to seal the pressurized hydraulic fluid against the atmosphere, preventing leakage and pollution of the environment or to transfer liquids and/or gases from a stationary part into or out of rotating machinery.

Features

- ⇒ The profile is designed with interference on the OD which provides a good static fit, preventing the entry of humidity and other contamination via the outside diameter.
- ⇒ Tight seat in the housing and an additional retainer ring in hard plastic or Aluminium/Steel ensures that the seal is held in place.
- ⇒ Tension spring for increasing the bonding force.
- ⇒ Not suitable for high pressure from the trailing side.

Application

Pumps, electric motors, swiveling cylinders, etc.

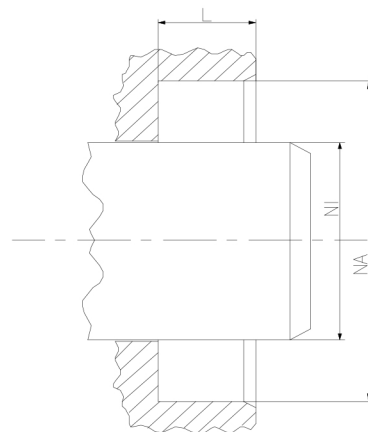
Max. pressure 0,5 bar, max. speed: PU/POM 5 m/s; NBR/POM 10m/s; FPM/PTFE 25m/s.

Installation

press-in installation; separate installation of retainer ring and elastomer part possible.

Seal housing recommendation

Tolerances	[mm]	
L	+ 0.2	
∅ NA	H 8	
∅ NI	f 8	
Surface roughness	Rtmax [μ]	Ra [μ]
Bottom of groove	≤ 6.3	≤ 1.6
Face of groove	≤ 15	≤ 3
Sliding surface	Rtmax [μ]	Ra [μ]
PU, elastomeres	≤ 2.5	≤ 0.1-0.5
PTFE	≤ 2	≤ 0.05-0.3



Sealco House, Maypole Fields Halesowen, West Midlands, UK, B63 2QB

T: (+44)1384 413058 E: sales@sealco.co.uk W: www.sealco.co.uk