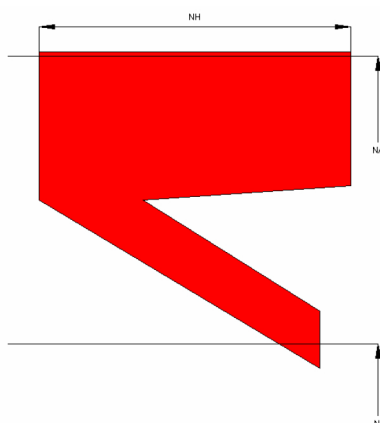


Profile Data

Rotary Seal OS08



Function

Rotary seals are designed to seal the pressurized hydraulic fluid against the atmosphere, preventing leakage and pollution of the environment or to transfer liquids and/gases from a stationary part into or out of rotating machinery.

Features

- ⇒ The profile is designed with interference on the OD which provides a good static fit, preventing the entry of humidity and other contamination via the outside diameter.
- ⇒ No spring preloaded sealing lip which enables a compact design.
- ⇒ Small friction and low heat build-up.
- ⇒ Not suitable for pressure from the trailing side.

Application

Needle bearings, sealing of viscous media (f.e. grease), etc.

Useage as additional wiper.

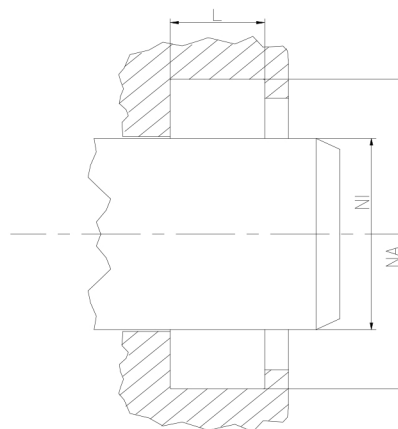
Max. speed: PU 5 m/s; NBR 10m/s

Installation

snap-in installation

Seal housing recommendation

Tolerances	[mm]	
L	+ 0.2	
∅ NA	H 8	
∅ NI	f 8	
Surface roughness	Rtmax [μ]	Ra [μ]
Bottom of groove	≤ 6.3	≤ 1.6
Face of groove	≤ 15	≤ 3
Sliding surface	Rtmax [μ]	Ra [μ]
PU, elastomeres	≤ 2.5	≤ 0.1-0.5
PTFE	≤ 2	≤ 0.05-0.3



Sealco House, Maypole Fields Halesowen, West Midlands, UK, B63 2QB

T: (+44)1384 413058 E: sales@sealco.co.uk W: www.sealco.co.uk