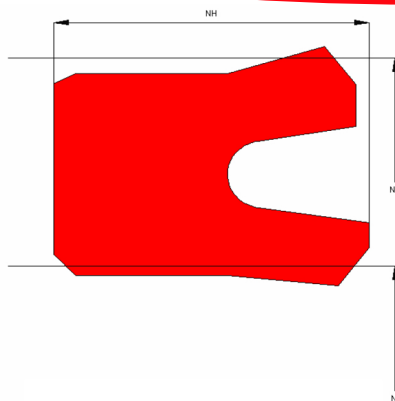


Profile Data Piston Seal PS01



Function

Piston seals are designed to seal the pressurized hydraulic fluid against the atmosphere or between two pressurized spaces.

Features

- ⇒ Asymmetrical, single acting piston seal, designed with interference on the ID which provides a good static fit in the groove.
- ⇒ Dynamic sealing lip shorter than static lip to avoid drag pressure.
- ⇒ Excellent static and dynamic sealing performance.
- ⇒ Useable for long stroke lengths.
- ⇒ Negligible tendency to “stick-slip” effect above a speed of 0.15 m/s.
For lower speeds the dynamic lip should be redesigned (shorter, stiffer).

Application

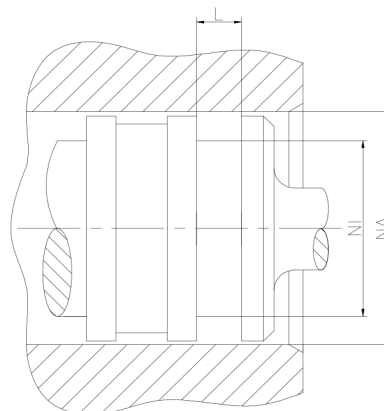
Reciprocating pistons in hydraulic cylinders, plungers.
Universal piston seal for small extrusion gaps and minor load impacts.
Max. pressure 400 bar, max. speed 0.5 m/s.

Installation

Snap-in installation.

Seal housing recommendation

| | | |
|--------------------------|------------------|---------------|
| Tolerances | [mm] | |
| L < 10mm | + 0.2 | |
| L ≥ 10mm | + 0.3 | |
| ∅ NA | H9 | |
| ∅ NI | h10 | |
| | | |
| Surface roughness | Rtmax [μ] | Ra [μ] |
| Bottom of groove | ≤ 6.3 | ≤ 1.6 |
| Face of groove | ≤ 15 | ≤ 3 |
| | | |
| Sliding surface | Rtmax [μ] | Ra [μ] |
| PU, elastomer | ≤ 2.5 | ≤ 0.1-0.5 |
| PTFE | ≤ 2 | ≤ 0.05-0.3 |



Sealco House, Maypole Fields Halesowen, West Midlands, UK, B63 2QB

T: (+44)1384 413058 E: sales@sealco.co.uk W: www.sealco.co.uk