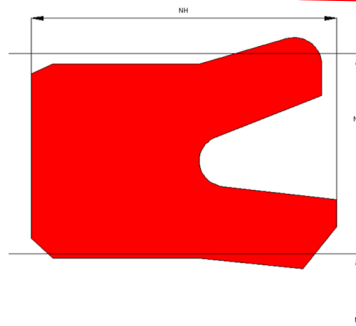


Profile Data

Piston Seal PS05



Function

Piston seals are designed to seal the pressurized hydraulic fluid against the atmosphere or between two pressurized spaces.

Features

- ⇒ Asymmetrical, single acting piston seal for pneumatic applications, designed with interference on the ID which provides a good static fit in the groove.
- ⇒ Special designed sealing lip to retain the lubrication film and prevent dry running.
- ⇒ Excellent static and dynamic sealing performance.
- ⇒ Useable for long stroke lengths.
- ⇒ Negligible tendency to “stick-slip”, small break-away loads after long standstill.

Application

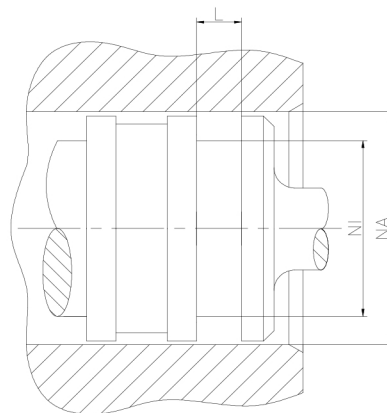
Reciprocating pistons in pneumatic cylinders, suitable for dry and lubricated air.
 Universal piston seal for small extrusion gaps and minor load impacts.
 Max. pressure 25 bar, max. speed 1 m/s.

Installation

Snap-in installation.

Seal housing recommendation

Tolerances	[mm]	
L < 10mm	+ 0.2	
L ≥ 10mm	+ 0.3	
∅ NA	H9	
∅ NI	h10	
Surface roughness	Rtmax [μ]	Ra [μ]
Bottom of groove	≤ 6.3	≤ 1.6
Face of groove	≤ 15	≤ 3
Sliding surface	Rtmax [μ]	Ra [μ]
PU, elastomer	≤ 2.5	≤ 0.1-0.5
PTFE	≤ 2	≤ 0.05-0.3



Sealco House, Maypole Fields Halesowen, West Midlands, UK, B63 2QB

T: (+44)1384 413058 E: sales@sealco.co.uk W: www.sealco.co.uk