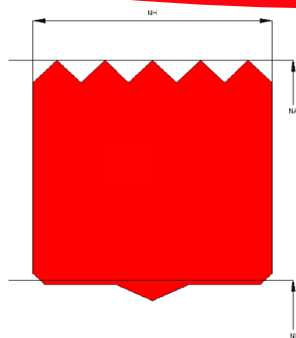


# Profile Data

## Rotary Seal R05A



### Function

Rotary seals are designed to seal the pressurized hydraulic fluid against the atmosphere, preventing leakage and pollution of the environment or to transfer liquids and/or gases from a stationary part into or out of rotating machinery.

### Features

- ⇒ Asymmetrical, double acting rotary seal, designed with interference on the ID which provides a good static fit in the groove.
- ⇒ Additional sealing edge on the ID for better static sealing.
- ⇒ Dynamic sealing on the OD.
- ⇒ Excellent static and dynamic sealing performance.
- ⇒ Low friction.

### Application

Slow moving shafts, pivoting movements, revolving distributors, swivel joints.

Universal rotary seal for minor work loads.

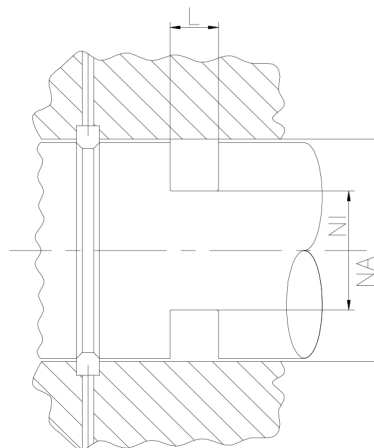
Max. pressure 160 bar, max. speed 0.2 m/s.

### Installation

Snap-in installation.

### Seal housing recommendation

Tolerances	[mm]	
L	+ 0.2	
∅ NA	H 8	
∅ NI	f 8	
Surface roughness	Rtmax [μ]	Ra [μ]
Bottom of groove	≤ 6.3	≤ 1.6
Face of groove	≤ 15	≤ 3
Sliding surface	Rtmax [μ]	Ra [μ]
PU, elastomeres	≤ 2.5	≤ 0.1-0.5
PTFE	≤ 2	≤ 0.05-0.3



Sealco House, Maypole Fields Halesowen, West Midlands, UK, B63 2QB

T: (+44)1384 413058 E: sales@sealco.co.uk W: www.sealco.co.uk