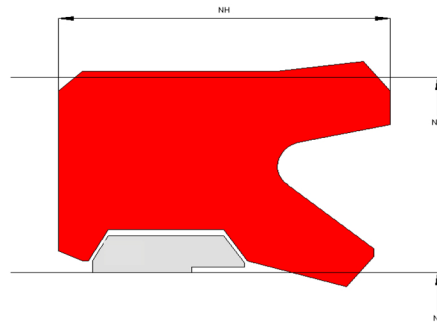


Profile Data Rod Seal RS02B



Function

Rod seals are designed to seal the pressurized hydraulic fluid against the atmosphere, preventing leakage and pollution of the environment.

Features

- ⇒ Asymmetrical, single acting rod seal, designed with interference on the OD which provides a good static fit in the groove.
- ⇒ Dynamic sealing lip shorter than static lip to avoid drag pressure. Improved sealing performance in pressureless condition because of the glide ring on the ID
- ⇒ Excellent static and dynamic sealing performance.
- ⇒ Useable for long stroke lengths.
- ⇒ Negligible tendency to “stick-slip”
- ⇒ Activated back-up rings prevent and reduce gap extrusion.

Application

Reciprocation rods in hydraulic cylinders, plungers.

Universal rod seal for larger extrusion gaps and higher load impacts.

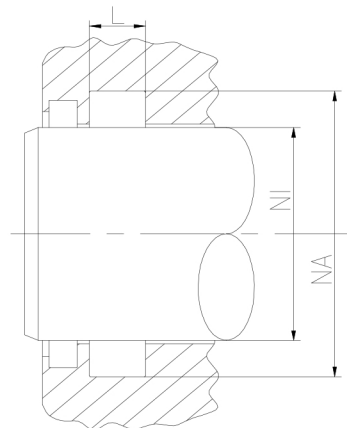
Max. pressure 700 bar, max. speed 0.5 m/s, depending on material selection.

Installation

Snap-in installation.

Seal housing recommendation

Tolerances	[mm]	
L < 10mm	+ 0.2	
L ≥ 10mm	+ 0.3	
∅ NA	H10	
∅ NI	f 8	
Surface roughness	Rtmax [μ]	Ra [μ]
Bottom of groove	≤ 6.3	≤ 1.6
Face of groove	≤ 15	≤ 3
Sliding surface	Rtmax [μ]	Ra [μ]
PU, elastomer	≤ 2.5	≤ 0.1-0.5
PTFE	≤ 2	≤ 0.05-0.3



Sealco House, Maypole Fields Halesowen, West Midlands, UK, B63 2QB

T: (+44)1384 413058 E: sales@sealco.co.uk W: www.sealco.co.uk