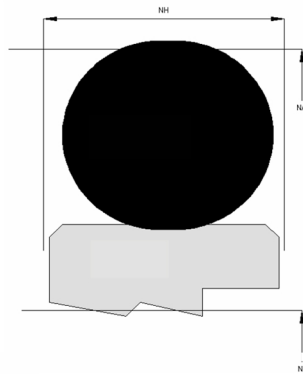


Profile Data Rod Seal RS09



Function

Rod seals are designed to seal the pressurized hydraulic fluid against the atmosphere, preventing leakage and pollution of the environment.

Features

- ⇒ Asymmetrical, single acting rod seal, designed with interference of the O-Ring on the OD and slight interference of the PTFE glide ring on the ID.
- ⇒ Excellent sealing performance in low and high speeds.
- ⇒ Suitable for positioning functions.
- ⇒ Negligible tendency to “stick-slip” effect, good sliding properties.
- ⇒ Low break-away load after long standstills.
- ⇒ Excellent gap extrusion resistance due to the free space on the trailing side.

Application

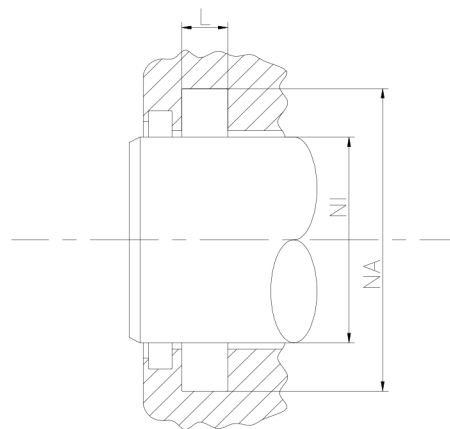
Reciprocating rods in hydraulic cylinders, plungers.
Dynamic seals in hydraulic systems.
Max. pressure 400 bar, max. speed 10 m/s.
Tandem arrangement possible.

Installation

Snap-in installation.
Attention: PTFE glide rings needs calibration after installation!

Seal housing recommendation

Tolerances	[mm]	
L < 10mm	+ 0.2	
L ≥ 10mm	+ 0.3	
∅ NA	H10	
∅ NI	f 8	
Surface roughness	Rtmax [μ]	Ra [μ]
Bottom of groove	≤ 6.3	≤ 1.6
Face of groove	≤ 15	≤ 3
Sliding surface	Rtmax [μ]	Ra [μ]
PU, elastomer	≤ 2.5	≤ 0.1-0.5
PTFE	≤ 2	≤ 0.05-0.3



Sealco House, Maypole Fields Halesowen, West Midlands, UK, B63 2QB

T: (+44)1384 413058 E: sales@sealco.co.uk W: www.sealco.co.uk