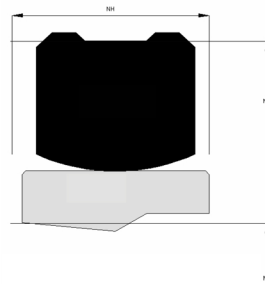


Profile Data Rod Seal RS91B



Function

Rod seals are designed to seal the pressurized hydraulic fluid against the atmosphere, preventing leakage and pollution of the environment.

Features

- ⇒ Asymmetrical, single acting rod seal, designed with interference of the preload element on the OD and slight interference of the PTFE glide ring on the ID.
- ⇒ High pressure force because of a machined rubber preload element.
Less relative movement of the rubber part compared to an O-Ring giving the seal a higher wear resistance.
- ⇒ Excellent sealing performance in low and high speeds.
- ⇒ Suitable for positioning functions.
- ⇒ Negligible tendency to “stick-slip” effect, good sliding properties.
- ⇒ Low break-away load after long standstills.
- ⇒ Excellent gap extrusion resistance due to the free space on the trailing side.
- ⇒ Can be used in grooves where no O-Ring is possible.

Application

Reciprocating rods in hydraulic cylinders, plungers in heavy-duty applications.
Max. pressure 400 bar, max. speed 10 m/s.
Tandem arrangement possible.

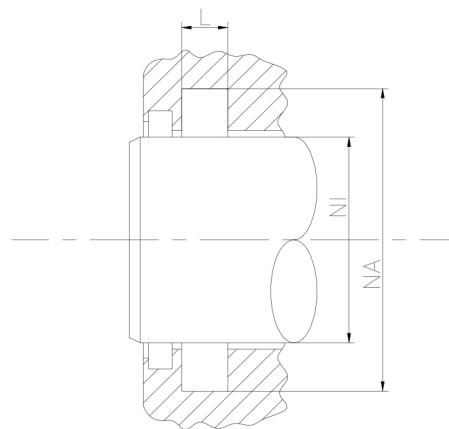
Installation

Snap-in installation.

Attention: PTFE glide rings needs calibration after installation!

Seal housing recommendation

Tolerances	[mm]	
L < 10mm	+ 0.2	
L ≥ 10mm	+ 0.3	
∅ NA	H10	
∅ NI	f 8	
Surface roughness	Rtmax [μ]	Ra [μ]
Bottom of groove	≤ 6.3	≤ 1.6
Face of groove	≤ 15	≤ 3
Sliding surface	Rtmax [μ]	Ra [μ]
PU, elastomer	≤ 2.5	≤ 0.1-0.5
PTFE	≤ 2	≤ 0.05-0.3



Sealco House, Maypole Fields Halesowen, West Midlands, UK, B63 2QB

T: (+44)1384 413058 E: sales@sealco.co.uk W: www.sealco.co.uk