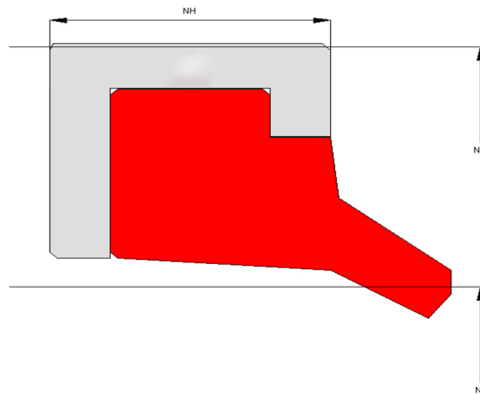


Profile Data Wiper WR03



Function

Wipers are designed to keep dust, dirt, sand and others off the rod and the sealing and guiding elements, avoiding abrasive damage caused by external contamination.

Features

- ⇒ The profile is designed with interference on the OD which provides a good static fit, preventing the entry of humidity and other contamination via the outside diameter.
- ⇒ Tight seat in the housing ensures that the wiper is held in place.
- ⇒ Prevention of corrosion in the seat due to the use of a retainer ring in hard plastics.
- ⇒ Not suitable for pressure from the trailing side.
- ⇒ For housings acc. to ISO 6195-1986 Type B.

Application

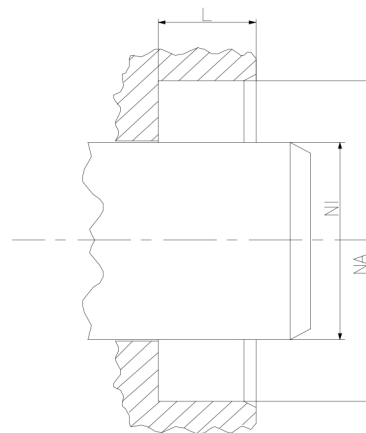
Reciprocation rods in hydraulic cylinders, plungers.
Max. pressure 0 bar, max. speed 4 m/s.

Installation

Press-in installation; separate installation of retainer ring and elastomer part possible.

Seal housing recommendation

Tolerances	[mm]	
L	+ 0.2	
∅ NA	H11	
∅ NI	f 8	
Surface roughness	Rtmax [μ]	Ra [μ]
Bottom of groove	≤ 6.3	≤ 1.6
Face of groove	≤ 15	≤ 3
Sliding surface	Rtmax [μ]	Ra [μ]
PU, elastomeres	≤ 2.5	≤ 0.1-0.5
PTFE	≤ 2	≤ 0.05-0.3



Sealco House, Maypole Fields Halesowen, West Midlands, UK, B63 2QB

T: (+44)1384 413058 E: sales@sealco.co.uk W: www.sealco.co.uk