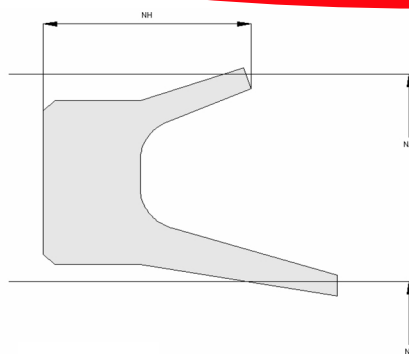


Profile Data Wiper WR08



Function

Wipers are designed to keep dust, dirt, sand and others off the rod and the sealing and guiding elements, avoiding abrasive damage caused by external contamination. WR08 wipers are designed to work as an initial wiper, protecting the elastomer wiper from hard encrusted dirt or ice on the rod.

Features

- ⇒ The profile is designed without any interference on the OD or ID.
- ⇒ It is held in place via the outside lip and the retainer nose.
- ⇒ Made in hard plastics (POM, PEEK, etc.) or hard grade PU which ensures high stiffness, breaking strength and stability.
- ⇒ Good dry running properties.
- ⇒ Not suitable for pressure from the trailing side.
- ⇒ Special designed housings required.

Application

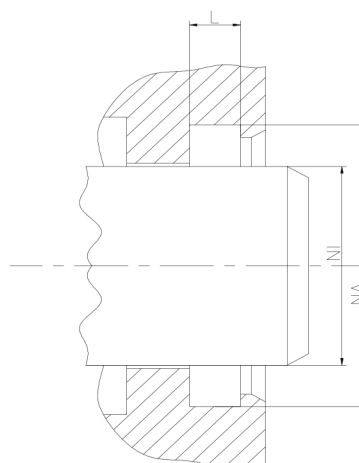
Reciprocation rods in hydraulic cylinders, plungers.
Max. pressure 0 bar, max. speed 1 m/s.

Installation

Snap-in installation.

Seal housing recommendation

Tolerances	[mm]	
L	+ 0.2	
∅ NA	H9	
∅ NI	h10	
Surface roughness	Rtmax [μ]	Ra [μ]
Bottom of groove	≤ 6.3	≤ 1.6
Face of groove	≤ 15	≤ 3
Sliding surface	Rtmax [μ]	Ra [μ]
PU, elastomers	≤ 2.5	≤ 0.1-0.5
PTFE	≤ 2	≤ 0.05-0.3



Sealco House, Maypole Fields Halesowen, West Midlands, UK, B63 2QB

T: (+44)1384 413058 E: sales@sealco.co.uk W: www.sealco.co.uk