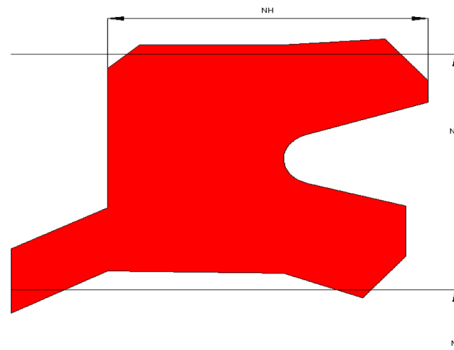


Profile Data Wiper WR11



Function

Wipers are designed to keep dust, dirt, sand and others off the rod and the sealing and guiding elements, avoiding abrasive damage caused by external contamination.

Features

- ⇒ The profile is designed with interference on the OD which provides a good static fit, preventing the entry of humidity and other contamination via the outside diameter.
- ⇒ The design of the wiper lip supports the recirculation of the remaining oil film into the cylinder, whilst the exclusion of contamination is guaranteed.
- ⇒ The sealing lip on the fluid side reduces the remaining oil film to a minimum if used in combination with composite seals as a tandem seal.
- ⇒ For housings acc. to ISO 6195-Type C.

Application

Reciprocation rods in hydraulic cylinders, plungers.

Can also be used as rod seal/wiper combination in pneumatic applications.

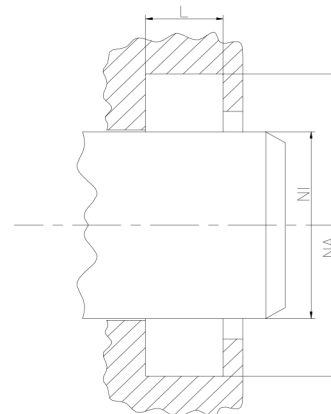
Installation

Snap-in installation.

When the cylinder can not be dismantled, the wiper can also be installed in cut version. In this case the diameter should be increased by 2-3%.

Seal housing recommendation

Tolerances	[mm]	
L < 10mm	+ 0.2	
L ≥ 10mm	+ 0.3	
∅ NA	H11	
∅ NI	f 8	
Surface roughness	Rtmax [μ]	Ra [μ]
Bottom of groove	≤ 6.3	≤ 1.6
Face of groove	≤ 15	≤ 3
Sliding surface	Rtmax [μ]	Ra [μ]
PU, elastomer	≤ 2.5	≤ 0.1-0.5
PTFE	≤ 2	≤ 0.05-0.3



Sealco House, Maypole Fields Halesowen, West Midlands, UK, B63 2QB

T: (+44)1384 413058 E: sales@sealco.co.uk W: www.sealco.co.uk