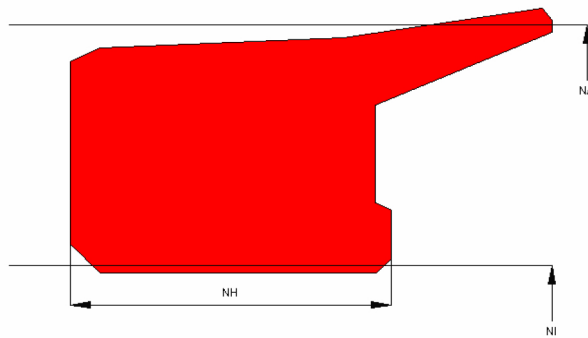


Profile Data Wiper WR18



Function

Wipers are designed to keep dust, dirt, sand and others off the rod and the sealing and guiding elements, avoiding abrasive damage caused by external contamination.

Features

- ⇒ Special wiper for outside sealing.
- ⇒ The profile is designed with interference on the ID which provides a good static fit, preventing the entry of humidity and other contamination via the inside diameter.
- ⇒ The design of the wiper lip supports the recirculation of the remaining oil film into the cylinder, whilst the exclusion of contamination is guaranteed.
- ⇒ Pressure from the trailing side has to be avoided.

Application

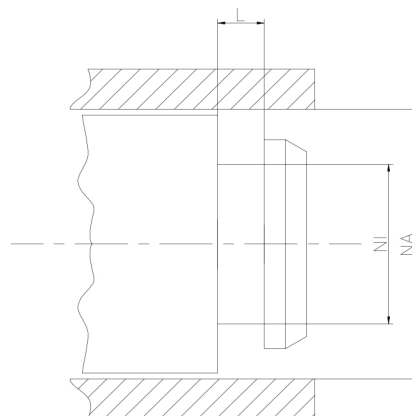
Reciprocation rods in hydraulic cylinders, plungers.
Max. pressure 0 bar, max. speed 4 m/s.

Installation

Snap-in installation.

Seal housing recommendation

Tolerances	[mm]	
L < 10mm	+ 0.2	
L ≥ 10mm	+ 0.3	
∅ NA	H11	
∅ NI	f 8	
Surface roughness	Rtmax [μ]	Ra [μ]
Bottom of groove	≤ 6.3	≤ 1.6
Face of groove	≤ 15	≤ 3
Sliding surface	Rtmax [μ]	Ra [μ]
PU, elastomer	≤ 2.5	≤ 0.1-0.5
PTFE	≤ 2	≤ 0.05-0.3



Sealco House, Maypole Fields Halesowen, West Midlands, UK, B63 2QB

T: (+44)1384 413058 E: sales@sealco.co.uk W: www.sealco.co.uk