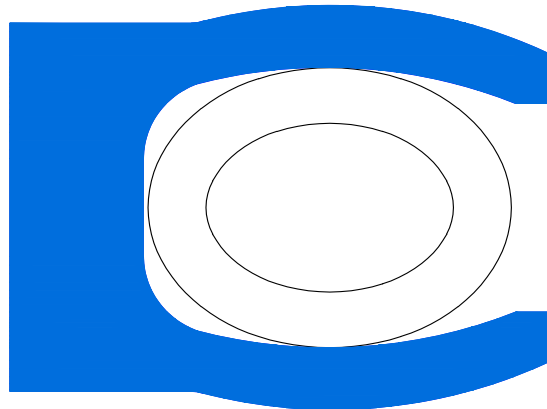




O.L. Seals A/S

Spring Energized Piston Seals

MupuSeal® R Type 3062-





MupuSeal® R Type 3062-

Is a single acting spring energized piston seal for static and semi dynamic applications. MupuSeal® R consists of jacket of Kefloy® energized by a spiral spring.

The steel spring is available in three different chemical resistant alloys.

- Stainless steel AISI 301; DIN 1.4310
- Hasteloy™ C-276; EN ISO 15156; NACE MR-01-75
- Elgiloy™ ASTM F1058; EN ISO 15156; NACE MR-01-75

Hasteloy™ is a trademark of Haynes International Inc.
Elgiloy™ is a registered trademark of Elgiloy Specialty Metals

MupuSeal® R has symmetric sealing lips. The helical wound spring gives a high spring force which ensures excellent sealing capacity. MupuSeal® R is excellent for static applications and applications with a very little movement.
MupuSeal® can be used with virtually all fluids.
MupuSeal® is pressure responsive.

Working Range

Pressure

Up to 80 MPa in standard execution. For pressures exceeding 80 MPa, please contact your O.L. Seals distributor.

Temperature

-120°C to + 260°C. For temperatures exceeding this temperature range, please contact your O.L. Seals distributor.

Velocity

Should be used for static or semi static applications only.

Fluids

Kefloy® is compatible with virtually all fluids – liquids as well as gases. By selecting the right Alloy for the spring energizer, it is possible to cover almost all fluids.

Applications

Due to its unique properties MupuSeal is used in a great variety of applications

- Extreme temperatures
- Aggressive environments
- Food and drug
- Offshore
- Chemical processes
- Refrigeration
- Energy
- Electronic
- Machine tools
- Aviation
- Defence



Advantages

- Very good sealing efficiency
- Compatible with virtually all fluids
- Covers a very big thermal range
- No contamination of fluids
- Can be sterilised
- No ageing
- No vulcanisation to mating surface
- Unlimited shelf life
- Simple groove design
- Standard grooves according to ISO 3771 and MIL G 5514F
- NACE compatible spring alloys available
- Available for all diameters up to 2.500 mm

Material Selection Guide

Fluid	Mating surface	MupuSeal® compound
Water	Steel	Kefloy® 11
Water hydraulic	Chrome plated steel	Kefloy® 25
Steam	Cast iron	Kefloy® 28
Non lubricating fluids	Aluminium	Kefloy® 40
Air, dry or lubricated	Stainless steel	Kefloy® 90
	Bronze	
	Soft metals	
Hydraulic oil	Steel	Kefloy® 11
Motor oil	Chrome plated steel	Kefloy® 13
Grease	Cast iron	Kefloy® 32
Other mineral oils		Kefloy® 28
		Kefloy® 90
	Aluminium	Kefloy® 11
	Stainless steel	Kefloy® 25
	Bronze	Kefloy® 28
	Soft metals	Kefloy® 32
		Kefloy® 40
		Kefloy® 90

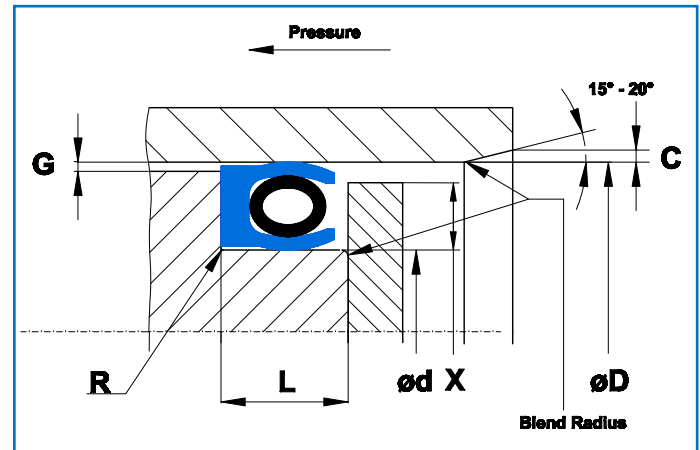
For other fluids or sealing surfaces, please consult your O.L. Seals distributor.

Seal Selection Guide

Ordering Example

Piston diameter: 55.3 mm

Part no 30624-0553-13-S
 MupuSeal® type
 Series
 Piston dia. x 10
 Jacket compound no
 Spring material



Installation dimensions for MupuSeal type 3062- (With standard groove width).

MupuSeal Dynamic Cross section		øD Bore	ød Groove	L	R	X	G Radial gap				Recomm. dia/cross
Part no.	Series	Min. Dia. H9	Dia. h9	+ 0.2 - 0	Max.	Min.	2 MPa (20 bar)	10 MPa (100 bar)	20 MPa (200 bar)	40 MPa (400 bar)	
30620	000	6.0	øD-2.90	2.40	0.4	0.4	0.20	0.10	0.08	0.05	6 - 13.99
30621	100	13.0	øD-4.50	3.60	0.4	0.6	0.25	0.15	0.10	0.07	14 - 24.99
30622	200	18.0	øD-6.20	4.80	0.6	0.7	0.35	0.20	0.15	0.08	25 - 45.99
30623	300	28.0	øD-9.40	7.10	0.8	0.8	0.50	0.25	0.20	0.10	46 - 124.99
30624	400	45.0	øD-12.20	9.50	0.8	0.9	0.60	0.30	0.25	0.12	125 - 629.99
30625	500	100.0	øD-19.00	15.00	0.8	1.5	0.90	0.50	0.40	0.20	630 -

Installation dimensions for MupuSeal type 3064- (With extended groove width).

MupuSeal Dynamic Cross section		øD Bore	ød Groove	L	R	X	G Radial gap				Recomm. dia/cross
Part no.	Series	Min. Dia. H9	Dia. h9	+ 0.2 - 0	Max.	Min.	2 MPa (20 bar)	10 MPa (100 bar)	20 MPa (200 bar)	40 MPa (400 bar)	
30640	000	6.0	øD-2.90	3.80	0.4	0.4	0.25	0.15	0.10	0.07	6 - 13.99
30641	100	13.0	øD-4.50	4.65	0.4	0.6	0.35	0.20	0.15	0.08	14 - 24.99
30642	200	18.0	øD-6.20	5.70	0.6	0.7	0.50	0.25	0.20	0.10	25 - 45.99
30643	300	28.0	øD-9.40	8.50	0.8	0.8	0.60	0.30	0.25	0.12	46 - 124.99
30644	400	45.0	øD-12.20	11.20	0.8	0.9	0.90	0.50	0.40	0.20	125 - 629.99
30645	500	100.0	øD-19.00	20.00	0.8	1.5	0.95	0.60	0.45	0.25	630 -

Important Note

The limits of pressure, temperature and velocity are individual maximum values. Heat generated by the friction may cause local increase of temperature. The cooling possibilities for the system determines the combinations of maximum values.